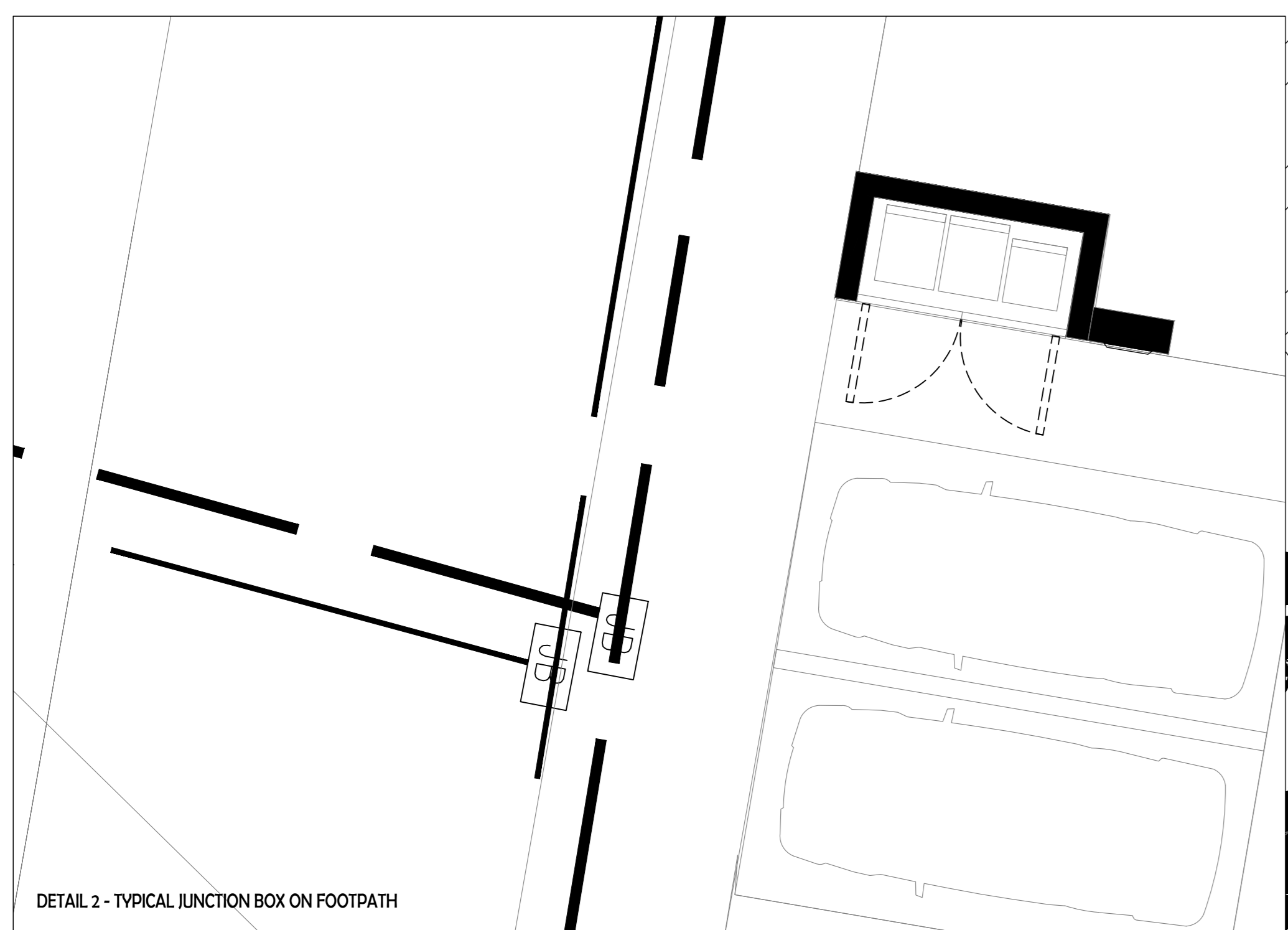
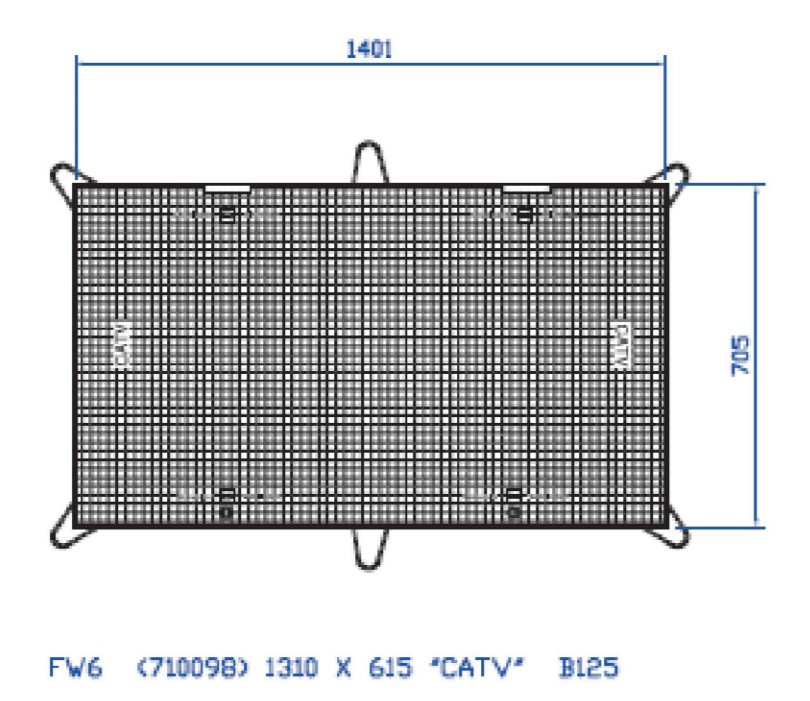
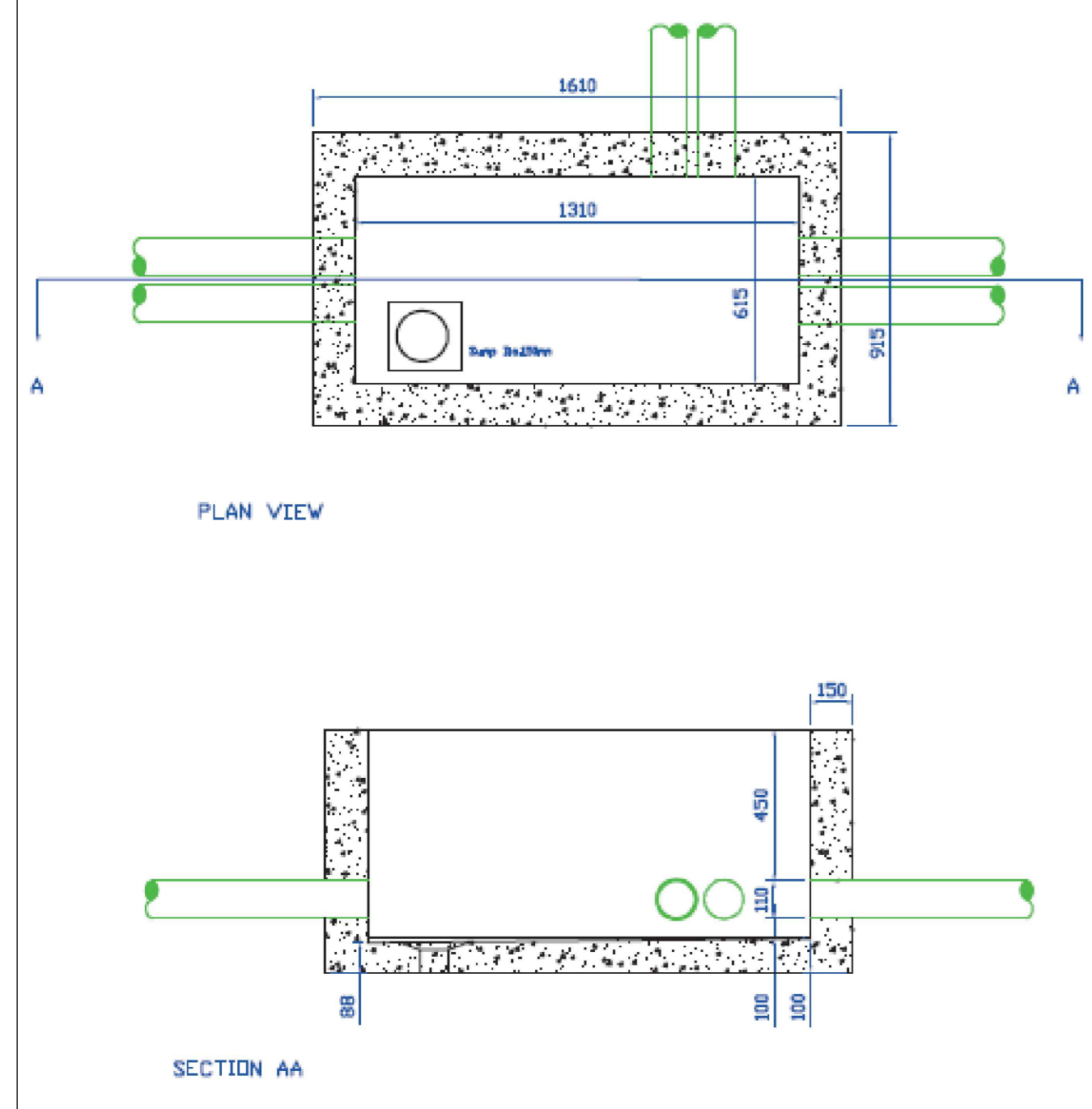


- Notes:
1. Virgin Media shall approve all covers in accordance with company standards nationwide
 2. All chambers shall have a concrete Foundation, 30N
 3. Actual dimensions may vary within the chamber due to existing conditions. All variation to be approved by Virgin Media.
 4. All Chambers to have a 150 Dia drainage sump with a floor gradient of 1:100
 5. Distances between ducts to be 25mm horizontally and vertically
 6. Minimum of 450/500mm cover on duct in F/W unless otherwise specified by Local Authority
 7. Concrete chambers wall thickness to be min 150mm in F/W and verge locations
 8. Floor to include steel reinforcement mesh min 10mm dia / min 100mm square
 9. Final F/W reinstatement slab to be separate from chamber concrete



GENERAL NOTES

ANY DISCREPANCIES OR OMISSIONS TO BE REPORTED TO JAK CONSULTING ENGINEERS IMMEDIATELY.

DO NOT SCALE - WORK FROM FIGURED DIMENSIONS ONLY.

THIS DRAWING IS TO BE READ IN CONJUNCTION WITH ALL CIVIL ENGINEERS, STRUCTURAL ENGINEERS, ARCHITECTS & ALL OTHER RELEVANT DRAWINGS & SPECIFICATIONS RELATING TO THE PROJECT.

ALL DIMENSIONS TO BE CONFIRMED ON SITE.

THIS DRAWING IS THE PROPERTY OF JAK CONSULTING ENGINEERS AND IT OR ITS CONTENTS CANNOT BE COPIED, REPRODUCED OR OTHERWISE USED WITHOUT THE PERMISSION & CONSENT OF JAK CONSULTING ENGINEERS ©

LEGEND

- 100mm EIR DUCT
- 100mm VIRGIN MEDIA DUCT
- SUPPLIER APPROVED JUNCTION BOX JB4



EIR & VIRGIN MEDIA LAYOUT - PHASE 1D

IS	UPDATED SITE LAYOUT	MO	JK	23-11-2021
12	INFORMATION	CD	MD	20/04/2021
11	INFORMATION	CD	MD	27/04/2021
REV	Description	DRN	APP	Date

JAK
Consulting Engineers

Mechanical, Electrical & Structural Consultants
50C Centre Street, Dublin 8
Ph: +353 (1) 475 0000
www.jak.ie

PROJECT CLIENT:
PORTMARNOCK PHASE 1D
RESIDENTIAL DEVELOPMENT
STATION ROAD, PORTMARNOCK, Co.FINGAL

ARCHITECT:
BURNS KENNEDY DOYLE ARCHITECTS
BKDA 67 HARDCOURT TERRACE, DUBLIN 2

DRAWING TITLE:
EIR & VIRGIN MEDIA
SITE INFRASTRUCTURE LAYOUT

DRAWING REFERENCE: J520/B-X2	DRAWING PROJECT STATUS: INFORMATION	REVISION REF: 13
FILENAME: J520/B-X2.dwg	DATE: 31-03-2021	DRAWN: CD
		SCALE @ A4: 1:500